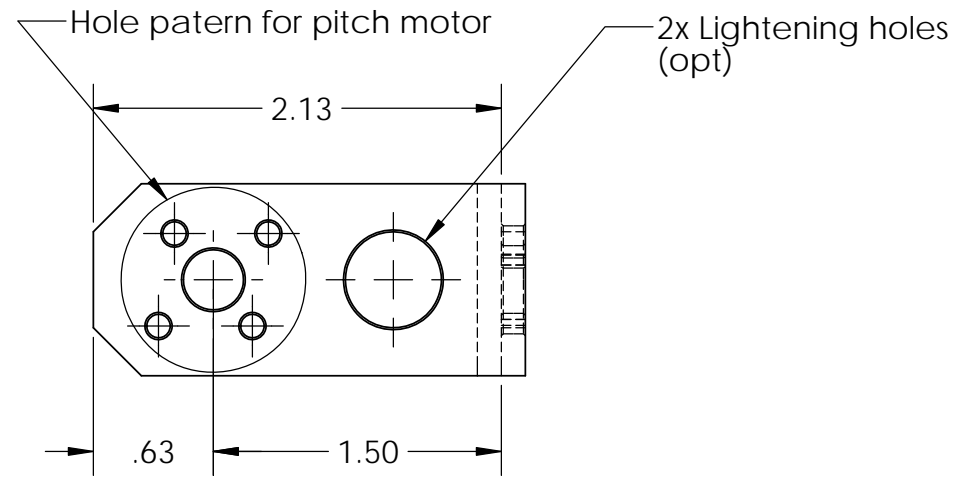


2.13 Dim is reference only
Determined from assembly balance



Easy Brushless Gimbal Roll Frame

Material - 1" x 1/8" Aluminum
©2011, Mark Qvale